

CONDENSERS



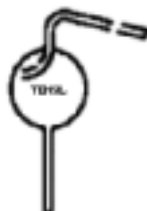
TGC-6



TGC-7



TGC-8



TGC-9



TGC-10



TGC-11



TGC-12

TGC-6 Condensers, Davies (Double Surface).

Cat. No.	Length mm	Tube Dia mm	Price
1616	200	40	
1617	300	40	

TGC-7 Condensers, Thorpe (Inland Revenue).

Cat. No.	Length mm	Body Dia mm	Price
1618	200	65	

TGC-8 Condensers, Hopkin (Reflux).

Cat. No.	Length mm	Body Dia mm	Price
1619	300	30	
1620	400	30	

TGC-9 Bulbs Connecting, Sloping, Kjeldahl.

Cat. No.	Cap. ml.	Price
1621	50	
1622	65	

TGC-10 Bulbs Connecting, Vertical, Kjeldahl.

Cat. No.	Cap. ml.	Price
1623	50	

TGC-11 Funnel Connecting Bent (Ford Kjeldahl Assembly).

Cat. No.	Cap. ml.	Price
1624	100	

TGC-12 Absorber (For Kjeldahl Assembly).

Cat. No.	Cap. ml.	Price
1625	100	



CONDENSERS

TGC-13 Condensers, Air.

Cat. No.	Joint	Length mm	Price
1626	10/19	100	
1627	14/23	200	
1628	19/26	200	
1629	19/26	300	
1630	19/26	400	
1631	19/26	500	
1632	19/26	600	
1633	24/29	400	
1634	24/29	600	



TGC - 13

TGC-14 Condensers, Air, Vertical.

Cat. No.	Cone	Length mm	Price
1635	14/23	400	
1636	14/23	200	
1637	14/29	500	



TGC - 14

TGC-15 Condensers, Liebig Vertical.

Cat. No.	Joint	Length mm	Price
1638	19/26	300	
1639	19/26	400	
1640	19/26	500	
1641	24/29	400	
1642	24/29	500	
1643	29/32	400	
1644	29/32	500	
1645	29/32	600	



TGC - 15

TGC-16 Micro Condensers, Liebig Vertical.

Cat. No.	Joint	Length mm	Price
1646	10/19	50	
1647	12/21	80	
1648	14/23	100	
1649	14/23	125	
1650	14/23	150	



TGC - 16

CONDENSERS



TGC - 17

TGC-17 Condenser West.

Cat. No.	Joint	Length mm	Price
1651	14/23	150	
1652	14/23	200	
1653	19/26	200	
1654	19/26	250	
1655	24/29	300	
1656	24/29	400	
1657	24/29	500	
1658	24/29	600	
1659	29/32	400	
1660	29/32	500	
1661	29/32	600	



TGC - 18

TGC -18 Condenser Liebig Betubeus at the upper end of jacket bottom outlet joint there is a side tube which can be attached to a source of vacuum.

Cat. No.	Joint	Length mm	Price
1662	14/23	150	
1663	19/26	200	
1664	19/26	250	
1665	24/29	300	
1666	24/29	400	
1667	24/29	500	



TGC - 19

TGC-19 Condensers, Coil (Graham).

Cat. No.	Joint	Length mm	Price
1668	19/26	150	
1669	19/26	300	
1670	24/29	150	
1671	24/29	300	
1672	29/32	150	
1673	29/32	300	



TGC - 20

TGC-20 Condensers, Coil (Graham) Vertical.

Cat. No.	Cone	Length mm	Price
1674	29/32	150	
1675	34/35	150	
1676	40/38	200	
1677	45/40	200	
1678	50/42	200	

Note : Taper Joint can be given as per customers specification.



CONDENSERS

TGC-21 Condensers, Coil Reversible.

Cat. No.	Cone	Length mm	Price
1679	19/26 & 24/29	150	
1680	24/29 & 34/35	150	



TGC - 21

TGC-22 Condensers, Independent Double Coil..

Cat. No.	Joint	Length mm	Price
1681	19/26	200	
1682	24/29	200	
1683	24/29	300	
1684	24/29	400	
1685	24/29	500	
1686	29/32	600	



TGC - 22

TGC-23 Condensers, Jacketed Coil.

Cat. No.	Cone	Length mm	Price
1687	24/29	150	
1688	34/35	200	
1689	34/35	300	
1690	34/35	400	



TGC - 23

TGC-24 Condenser Hopkins coil type - 1.

Cat. No.	Joint	Length mm	Price
1691	14/23	200	
1692	19/26	300	
1693	24/29	300	
1694	24/29	400	



TGC - 24

TGC - 25 Condensers Jacket cooling.

Cat. No.	Joint	Length mm	Price
1695	14/23	150	
1696	14/23	200	
1697	19/26	200	
1698	19/26	250	
1699	24/29	200	
1700	24/29	300	
1701	24/29	400	



TGC - 25

TGC-26 Condenser Hopkin coil type - II.

Cat. No.	Joint	Length mm	Price
1702	14/25	150mm	
1703	19/26	150mm	
1704	19/26	200mm	
1705	24/29	200mm	
1706	24/29	300mm	



TGC - 26

Note : Taper Joint can be given as per customers specification.



CONDENSERS

TGC-32 Condensers, Triple - Jacket Coil.

Cat. No.	Joint	Length	Price
1734	24/29	500	
1735	24/29	600	
1736	29/32	700	
1737	29/32	800	

TGC-33 Condensers - Triple Coil single stack.

Cat. No.	Joint	Length mm	Price
1738	24/29	600	
1739	29/32	600	
1740	34/35	600	

TGC-34 Condensers - Triple Coil double stack.

Cat. No.	Joint	Length	Price
1741	24/29	1000	
1742	29/32	1200	
1743	34/35	1500	

TGC-35 Condensers, Ether.

Cat. No.	Socket	Cone	Length mm	Price
1744	19/26	24/29	180	

TGC-36 Condensers, Inland Revenued (Thorpe).

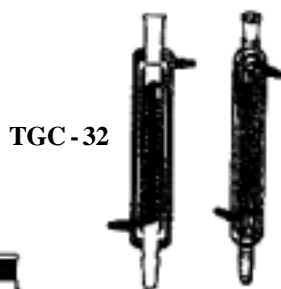
Cat. No.	Joint	Length mm	Price
1745	19/26	200	
1746	24/29	200	

TGC-37 Condensers, Vertical Distillate, TENSIL.

Cat. No.	Cone Length mm	Price
1747	34/35	

Note : Taper Joint can be given as per customers specification.

TENSIL GLASS WORKS
Shaping Solutions



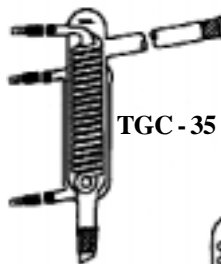
TGC - 32



TGC - 33



TGC - 34



TGC - 35



TGC - 36



TGC - 37

CONDENSERS



TGC - 38

TGC-38 Dry Ice Condenser (Vacuum Trap).

Designed to remove relatively large volumes of solvent can be used with rotary evaporators. Inner cylinder is charged with dry ice/alcohol or liquid nitrogen. Lower reservoir has a PTFE valve to remove condensate.

Cat. No.	Lower Reservoir Capacity	Price
1748	250 ml	
1749	500 ml	
1750	1 Ltr	



TGC - 39

TGC-39 Dry Ice Condenser (Dewar Trap)

Similar to Dewar flask but with additional Ground joint at bottom and an outer joint of the same style extending in an upward direction for the side of jacket near the top the inside diameter of flask is approximately 150 mm.

Cat. No.	Cone	Price
1751	24/29	
1752	29/32	



TGC - 40

TGC-40 Dry condenser (Dewar Trap).

Similar to Dewar flask but with additional Ground joint at bottom and an outer joint of the same style extending in an upward direction for the side of jacket near the top the inside diameter of flask is approximately 150 mm.

Cat. No.	Cone	Price
1753	24/29	
1754	29/32	



TGC - 41

TGC-41 Dry Ice Condenser (Dewar Trap).

Similar to Dewar flask but with additional Ground joint at bottom and an outer joint of the same style extending in an upward direction for the side of jacket near the top the inside diameter of flask is approximately 40mm and the inside height is approximately 150mm.

Cat. No.	Socket	Cone	Price
1755	19/26	19/26	
1756	24/29	24/29	
1757	29/32	29/32	



CONDENSERS

TGC-42 Dry Ice Condenser (Dewar Trap).

Similar to Dewar flask but with additional Ground joint at bottom and an outer joint of the same style extending in an upward direction for the side of jacket near the top the inside diameter of flask is approximately 40mm and the inside height is approximately 150mm.

Cat. No.	Socket	Cone	Price
1758A	19/26	19/26	
1758	24/29	24/29	
1759	29/32	29/32	

TGC-43 Condensers, Immersion (Cold Finger).

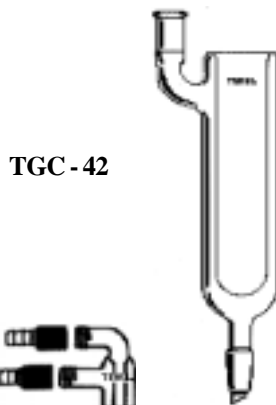
Cat. No.	Cone	Length mm	Price
1760	19/26	100	

TGC-44 Condensers, Double Surface (Davies), Vertical.

Cat. No.	Cone	Length mm	Price
1761	24/29	200	
1762	29/32	200	
1763	34/35	200	
1764	40/38	300	
1765	45/40	300	
1766	50/42	300	

TGC-45 Condensers, Double Surface (Davies).

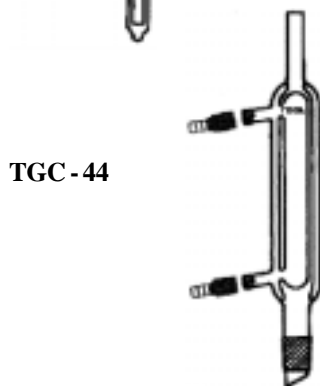
Cat. No.	Joint	Length mm	Price
1767	10/19	100	
1768	14/23	150	
1769	19/26	200	
1770	19/26	300	
1771	24/29	200	
1772	24/29	300	
1773	24/29	450	
1774	24/29	600	
1775	29/32	300	
1776	29/32	450	
1777	29/32	600	
1778	34/35	300	
1779	34/35	400	
1780	34/35	400	



TGC-42



TGC-43



TGC-44

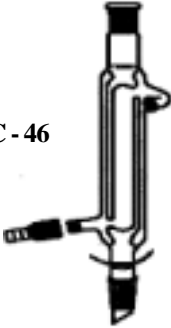


TGC-45

CONDENSERS



TGC - 46



TGC-46 Condensers, Double Surface (Davies), with moisture cup.

Cat. No.	Joint	Length mm	Price
1781	10/19	100	
1782	14/23	150	
1783	19/26	200	
1784	19/26	300	
1785	24/29	200	
1786	24/29	300	
1787	24/29	450	
1788	24/29	500	
1789	29/32	300	
1790	29/34	450	
1791	29/32	600	
1792	34/35	300	
1793	34/35	450	
1794	34/35	600	

TGC - 47



TGC-47 Condensers, Allihn, Vertical.

Cat. No.	Cone	Length mm	Price
1795	19/26	200	
1796	24/29	200	
1797	29/32	200	
1798	34/35	200	
1799	40/38	200	
1800	45/40	300	
1801	50/42	300	

TGC - 48



TGC-48 Condensers, Allihn, Vertical.

Cat. No.	Cone	Length mm	Price
1802	19/26	200	
1803	24/29	200	
1804	29/32	200	
1805	34/35	200	
1806	40/38	200	
1807	45/40	300	
1808	50/42	300	

TGC - 49



TGC-49 Condensers, Allihn Vertical.

Cat. No.	Joint	Length mm	Price
1809	24/29	300	
1810	24/29	500	
1811	24/24	600	
1812	29/32	400	
1813	29/32	600	
1814	29/32	750	



COLUMNS

TGCC-1 Chromatography Column, Plain.

Cat. No.	Bore mm	Length	Price
1815	10	150	
1816	10	300	
1817	18	300	
1818	18	450	
1819	22	300	
1821	22	400	
1822	25	300	
1823	25	400	
1824	25	500	
1825	30	300	
1826	30	400	
1827	30	600	
1828	30	900	
1829	40	450	
1830	40	600	
1831	40	900	
1832	50	450	
1833	50	600	
1834	50	900	
1835	60	450	
1836	60	600	



TGCC-1

TGCC-2 Chromatography column fritted Disc.

Cat. No.	Bore mm	Length	Price
1837	10	150	
1838	10	300	
1839	18	300	
1840	18	450	
1841	22	300	
1843	22	400	
1844	25	300	
1845	25	400	
1846	25	500	
1847	30	300	
1848	30	400	
1849	30	600	
1850	30	900	
1851	40	450	
1852	40	600	
1853	40	900	
1854	50	450	
1855	50	600	
1856	50	900	
1857	60	450	
1858	60	600	



TGCC-2